



# POSITION CONTROL HINGE MEDIUM

## CONSTANT TORQUE & SMOOTH ROTATION

### MEDIUM HINGE WIDTH 1 ½"

- Long cycle life
- Increased haptics
- Zero maintenance



#### MATERIALS & FINISH

- Zinc alloy
- Black paint

#### PERFORMANCE

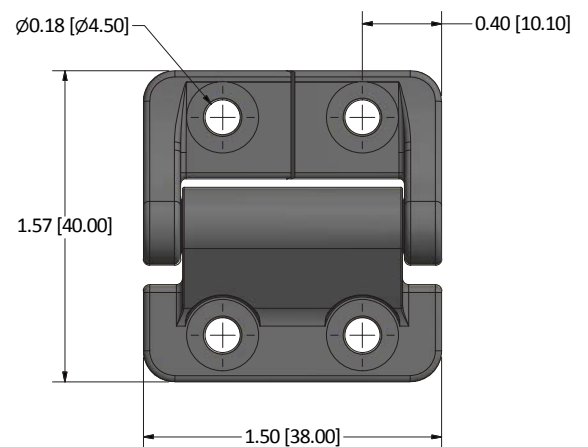
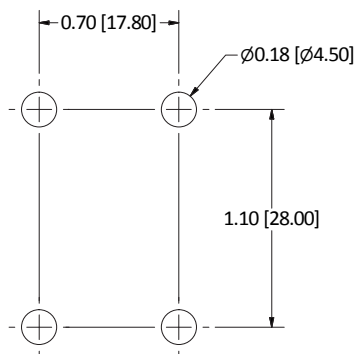
- 20,000+ cycles (+/- 20% of static torque value)
- 270° rotation
- Both radial and axial loading force is 160N

#### APPLICATIONS

- Vehicular
- Aerospace
- Furniture
- Medical
- Electronics
- Kiosks

PART #	SYMMETRIC TORQUE VALUE (Nm)
TH-20-S-0005	0
TH-20-S-0095	0.9
TH-20-S-0145	1.4
TH-20-S-0185	1.8
TH-20-S-0235	2.3

### MOUNTING CONFIGURATION





# POSITION CONTROL HINGE LARGE CONSTANT TORQUE & SMOOTH ROTATION

## LARGE HINGE WIDTH 2"

- Long cycle life
- Increased haptics
- Zero maintenance



### MATERIALS & FINISH

- Zinc alloy
- Black paint

### PERFORMANCE

- 20,000+ cycles  
(+/- 20% of static torque value)
- 270° rotation
- Both radial and axial loading force is 200N

### APPLICATIONS

- Vehicular
- Aerospace
- Furniture
- Medical
- Electronics
- Kiosks

PART #	SYMMETRIC TORQUE VALUE (Nm)
TH-40-S-0005	0
TH-40-S-0185	1.8
TH-40-S-0235	2.3
TH-40-S-0345	3.4

### MOUNTING CONFIGURATION

