

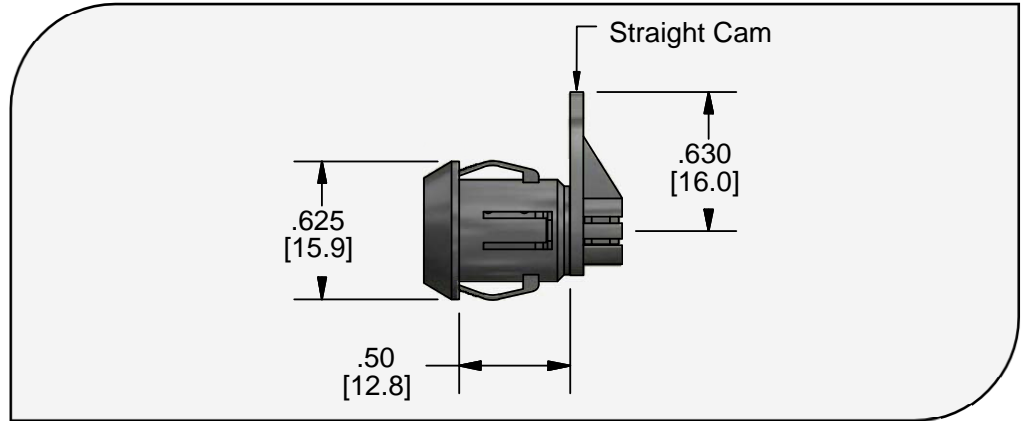


Miniature Plastic Push-In Cam Lock

PC320

- Quick Push-In installation saves time, money and operator fatigue
- Push-On cam for ultra-quick install
- Small size. Perfect for tight spaces
- Low Cost Plastic Design
- 5 Tumbler mechanism with 15 possible combinations
- Overmolded Keys are Standard
- Includes 1 plastic straight cam

Material and Finish
Nylon 6/6 Black

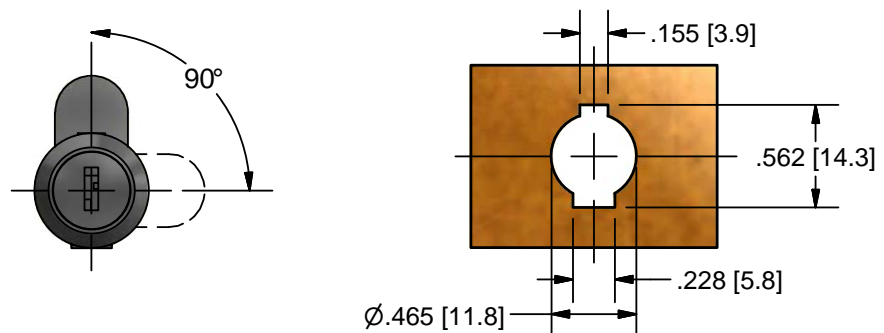


* length tolerance +/- .039" [1mm]

Part Number	Housing Length	
	Inches	Millimeters
PC320	1/2	12.7



Cam Rotation and Installation



Designed for a panel thickness of
.050 - .080 (1.27-2.03)



Rev 1
5/1/2017

Illinois Lock Company
A division of the Eastern Company

www.illinoislock.com • sales@illinoislock.com • 847-537-1800