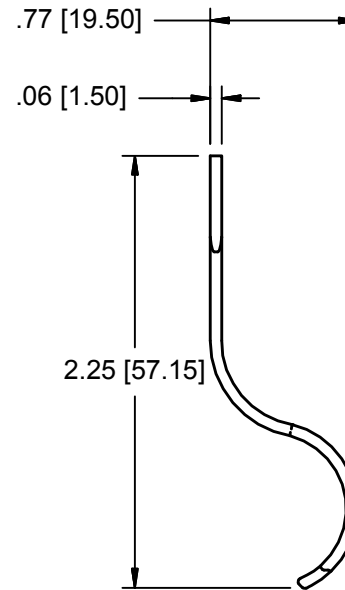
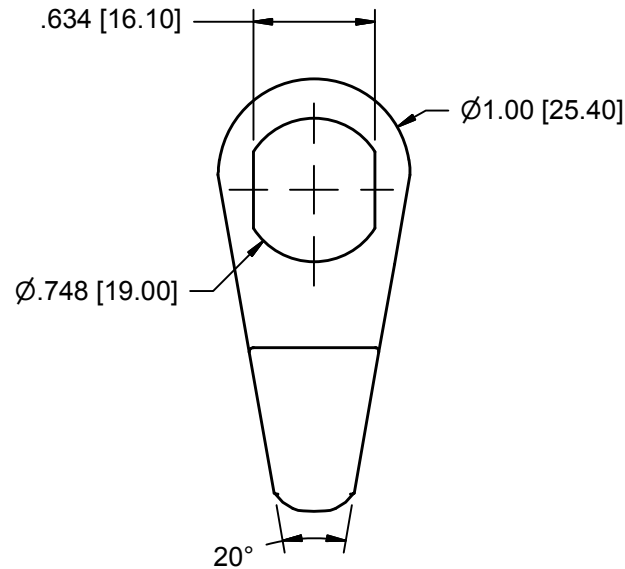
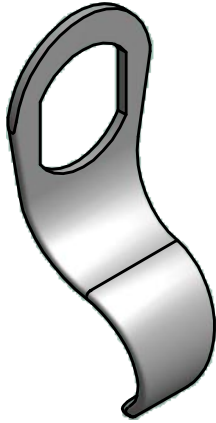


PROJ. NO:

DESTROY ALL PRINTS PREVIOUS TO

PART NO:
FP333

REV.
NO.



THIS DRAWING IS THE EXCLUSIVE PROPERTY OF THE ILLINOIS LOCK COMPANY / CCL SECURITY PRODUCTS, AND IS SUBMITTED ONLY ON A CONFIDENTIAL BASIS. UNAUTHORIZED USE OR DISCLOSURE OF ITS CONTENTS AND REPRODUCTION IS PROHIBITED. THIS DRAWING, UNLESS OTHERWISE DIRECTED IS TO BE RETURNED TO THE ILLINOIS LOCK COMPANY / CCL SECURITY PRODUCTS.

Illinois Lock Company
CCL SECURITY PRODUCTS

WHEELING, IL.

MATERIAL: STAINLESS STEEL

TOLERANCES, UNLESS OTHERWISE SPECIFIED

FINISH SPECS: PASSIVATED

ENG: S.Moore

SCALE: 1 : 1

CHECKED BY:

DATE: 10/14/2013

Issue #2 March 10, 2015

PRINTED COPIES ARE UNCONTROLLED

VALUE	INCHES [mm]
X.	-
X.X	± .015 [.381]
X.XX	± .008 [.203]
X.XXX	± .004 [.102]
FRACTIONS: ± 1/32	ANGLES: ± 2°

CUST. NAME:

CUST. PART NO:

SHEET: 1 OF 1

QF05-02