

PROJ. NO:

DESTROY ALL PRINTS PREVIOUS TO

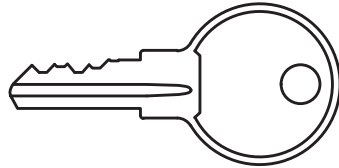
PART NO:

**DC650XXL**

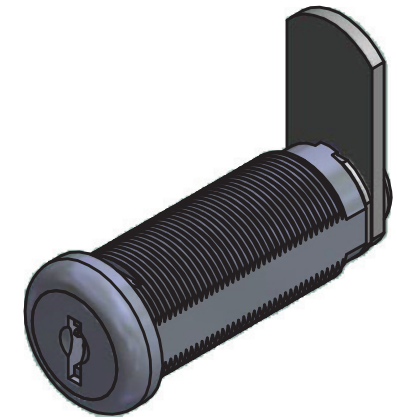
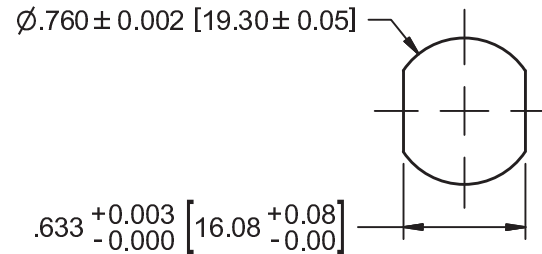
REV.  
NO.

3/11/2015

LOCK COMES STANDARD WITH TWO  
NICKEL-PLATED BRASS KEYS  
ILC KEYBLANK = C610-KEYBLANKS



RECOMMENDED APPLICATION HOLE SIZE



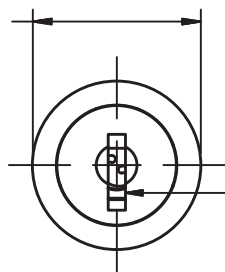
US26: BRIGHT CHROME  
BLACK E-COAT (OPTIONAL)  
US15: BRIGHT NICKEL (OPTIONAL)

DIMENSION FROM BACK  
OF LOCK HEAD TO FORMED CAM FACE  
VARIES BY CAM OFFSET DIMENSION

$1.625^{+0.040}_{-0.000} [41.28^{+1.02}_{-0.00}]$

DIMENSION TO STRAIGHT  
CAM FACE

$\varnothing.88 [22.23]$



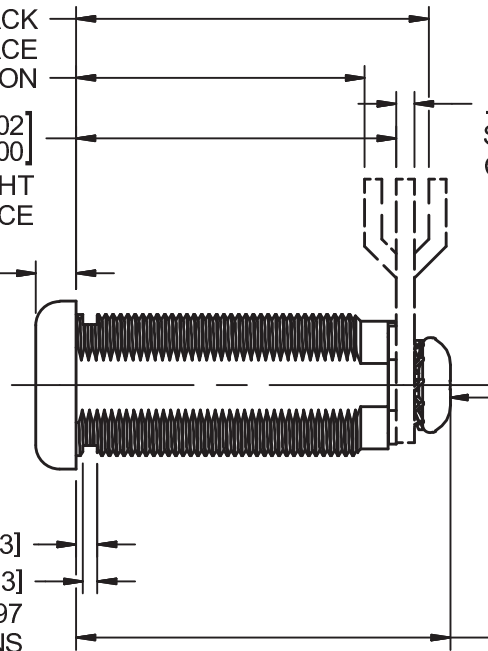
ILC 163B  
KEYWAY

$.20 [5.08]$

$.110 \pm 0.005 [2.80 \pm 0.13]$

$.075 \pm 0.005 [1.90 \pm 0.13]$

STANDARD CLIP ILCPN: HS6397  
WILL FIT STANDARD GAUGE APPLICATIONS  
.025" [.64] TO .05" [1.27] THICK



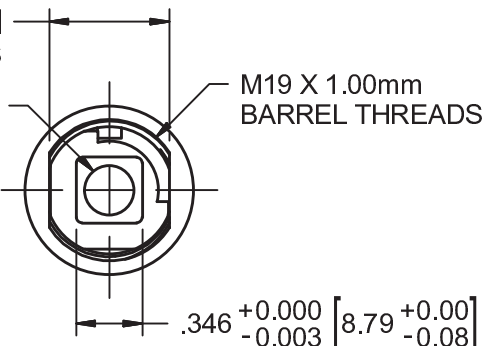
$.090 \pm 0.005 [2.29 \pm 0.13]$   
STANDARD MEDIUM-DUTY  
CAM

$.625 \pm 0.003 [15.88 \pm 0.08]$   
BARREL FLATS

$\varnothing 1/4 - 28$   
[6.35-.907]  
CAM MOUNT  
SCREW THREADS

SCREW MOUNTED  
CAM

$1.95 [49.53]$



M19 X 1.00mm  
BARREL THREADS

$.346^{+0.000}_{-0.003} [8.79^{+0.00}_{-0.08}]$   
SQ. CAM BOSS

THIS DRAWING IS THE EXCLUSIVE PROPERTY OF THE ILLINOIS LOCK COMPANY / CCL SECURITY PRODUCTS, AND IS SUBMITTED ONLY ON A CONFIDENTIAL BASIS. UNAUTHORIZED USE OR DISCLOSURE OF ITS CONTENTS AND REPRODUCTION IS PROHIBITED. THIS DRAWING, UNLESS OTHERWISE DIRECTED IS TO BE RETURNED TO THE ILLINOIS LOCK COMPANY / CCL SECURITY PRODUCTS.

**Illinois Lock Company**

**CCL SECURITY PRODUCTS**

WHEELING, IL.

MATERIAL: ZINC, STEEL, BRASS

TOLERANCES, UNLESS OTHERWISE SPECIFIED

VALUE	INCHES [ mm ]
X	$\pm .030 [ .762 ]$
X.X	$\pm .015 [ .381 ]$
X.XX	$\pm .010 [ .254 ]$
X.XXX	$\pm .005 [ .127 ]$
FRACTIONS: $\pm 1/32$	ANGLES: $\pm 2^\circ$

FINISH SPECS: STANDARD - US26: BRIGHT CHROME

X

ENG: JAI

SCALE: 1 : 1

X.X

CHECKED BY:

DATE: 2/11/2015

X.XX

FRACTIONS:  $\pm 1/32$  ANGLES:  $\pm 2^\circ$

DC650XXL

CUST. NAME:

CUST. PART NO:

SHEET: 6 OF 10