

PROJ. NO:

DESTROY ALL PRINTS PREVIOUS TO

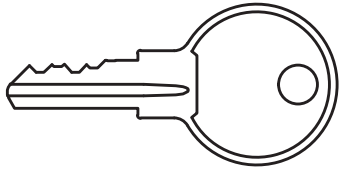
PART NO:

DC650L

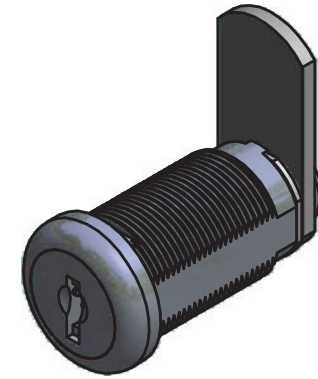
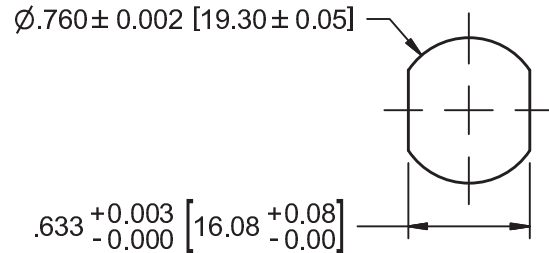
REV. NO.

3/11/2015

LOCK COMES STANDARD WITH TWO
NICKEL-PLATED BRASS KEYS
ILC KEYBLANK = C610-KEYBLANKS



RECOMMENDED APPLICATION HOLE SIZE

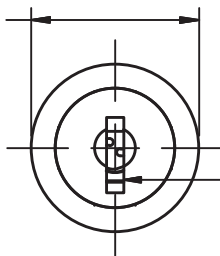


US26: BRIGHT CHROME
BLACK E-COAT (OPTIONAL)
US15: BRIGHT NICKEL (OPTIONAL)

DIMENSION FROM BACK
OF LOCK HEAD TO FORMED CAM FACE
VARIES BY CAM OFFSET DIMENSION

$1.125^{+0.040}_{-0.000} [28.58^{+1.02}_{-0.00}]$
DIMENSION TO STRAIGHT
CAM FACE

$\phi .88 [22.23]$



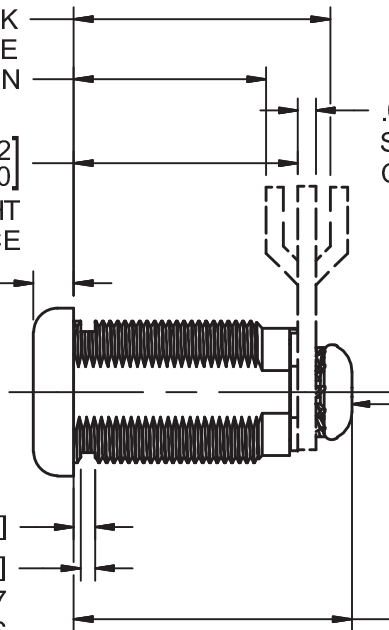
ILC 163B
KEYWAY

$.110 \pm 0.005 [2.80 \pm 0.13]$

$.075 \pm 0.005 [1.90 \pm 0.13]$

STANDARD CLIP ILCPN: HS6397
WILL FIT STANDARD GAUGE APPLICATIONS
.025" [.64] TO .05" [1.27] THICK

.20 [5.08]



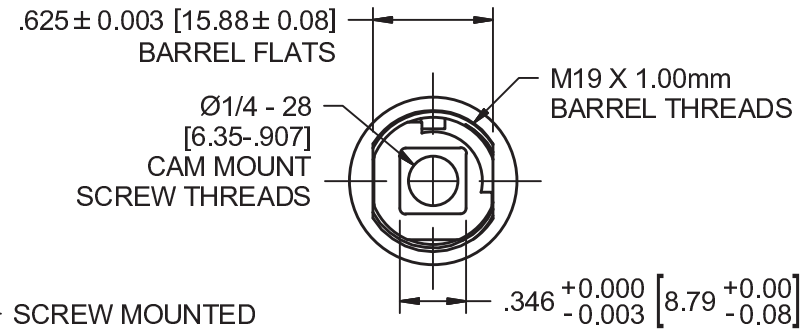
$.090 \pm 0.005 [2.29 \pm 0.13]$
STANDARD MEDIUM-DUTY
CAM

$.625 \pm 0.003 [15.88 \pm 0.08]$
BARREL FLATS

$\phi 1/4 - 28$
[6.35-.907]
CAM MOUNT
SCREW THREADS

SCREW MOUNTED
CAM

1.45 [36.83]



M19 X 1.00mm
BARREL THREADS

$.346^{+0.000}_{-0.003} [8.79^{+0.00}_{-0.08}]$
SQ. CAM BOSS

THIS DRAWING IS THE EXCLUSIVE PROPERTY OF THE ILLINOIS LOCK COMPANY / CCL SECURITY PRODUCTS, AND IS SUBMITTED ONLY ON A CONFIDENTIAL BASIS. UNAUTHORIZED USE OR DISCLOSURE OF ITS CONTENTS AND REPRODUCTION IS PROHIBITED. THIS DRAWING, UNLESS OTHERWISE DIRECTED IS TO BE RETURNED TO THE ILLINOIS LOCK COMPANY / CCL SECURITY PRODUCTS.

Illinois Lock Company

CCL SECURITY PRODUCTS

WHEELING, IL.

MATERIAL: ZINC, STEEL, BRASS

TOLERANCES, UNLESS OTHERWISE SPECIFIED

VALUE	INCHES [mm]
X	$\pm .030 [.762]$
X.X	$\pm .015 [.381]$
X.XX	$\pm .010 [.254]$
X.XXX	$\pm .005 [.127]$
FRACTIONS: $\pm 1/32$	ANGLES: $\pm 2^\circ$

FINISH SPECS: STANDARD - US26: BRIGHT CHROME

X

ENG: JAI

SCALE: 1 : 1

X.X

CHECKED BY:

DATE: 2/11/2015

X.XX

FRACTIONS: $\pm 1/32$ ANGLES: $\pm 2^\circ$

CUST. NAME:

DC650L

CUST. PART NO:

SHEET: 8 OF 10