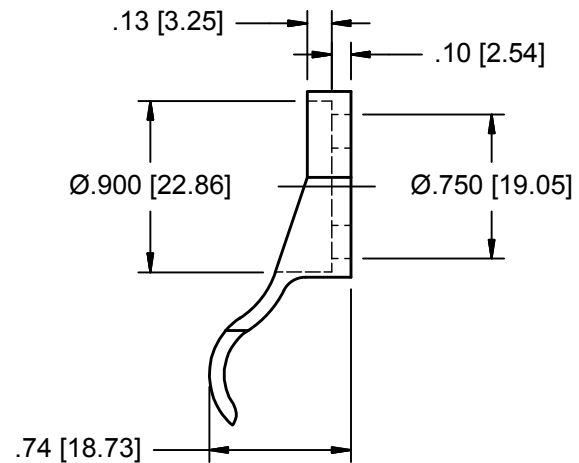
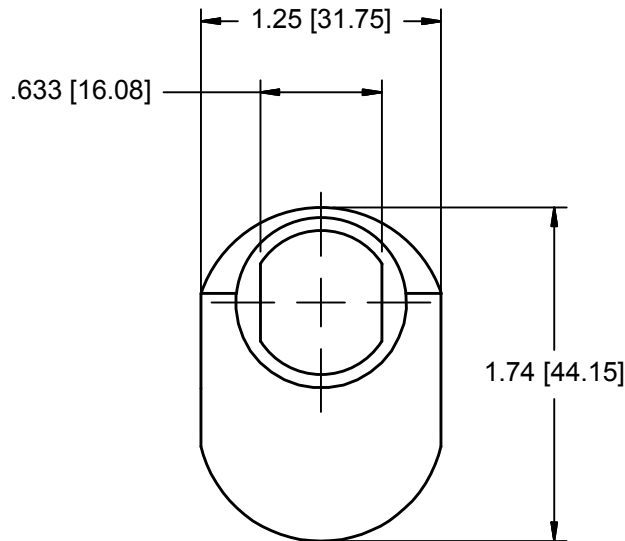


PROJ. NO:

DESTROY ALL PRINTS PREVIOUS TO

PART NO:
P9446A

REV.
NO.



THIS DRAWING IS THE EXCLUSIVE PROPERTY OF THE ILLINOIS LOCK COMPANY / CCL SECURITY PRODUCTS, AND IS SUBMITTED ONLY ON A CONFIDENTIAL BASIS. UNAUTHORIZED USE OR DISCLOSURE OF ITS CONTENTS AND REPRODUCTION IS PROHIBITED. THIS DRAWING, UNLESS OTHERWISE DIRECTED IS TO BE RETURNED TO THE ILLINOIS LOCK COMPANY / CCL SECURITY PRODUCTS.

Illinois Lock Company

CCL SECURITY PRODUCTS

WHEELING, IL.

MATERIAL: PLASTIC; BLACK

TOLERANCES, UNLESS OTHERWISE SPECIFIED

FINISH SPECS: -

ENG: Tom

SCALE: 1 : 1

CHECKED BY:

DATE: 4/20/2005

Issue #2 March 10, 2015

PRINTED COPIES ARE UNCONTROLLED

VALUE

X

X.X ± .015 [.381]

X.XX ± .008 [.203]

X.XXX ± .004 [.102]

FRACTIONS: ± 1/32 ANGLES: ± 2°

CUST. NAME:

CUST. PART NO:

SHEET: 1 OF 1

QF05-02